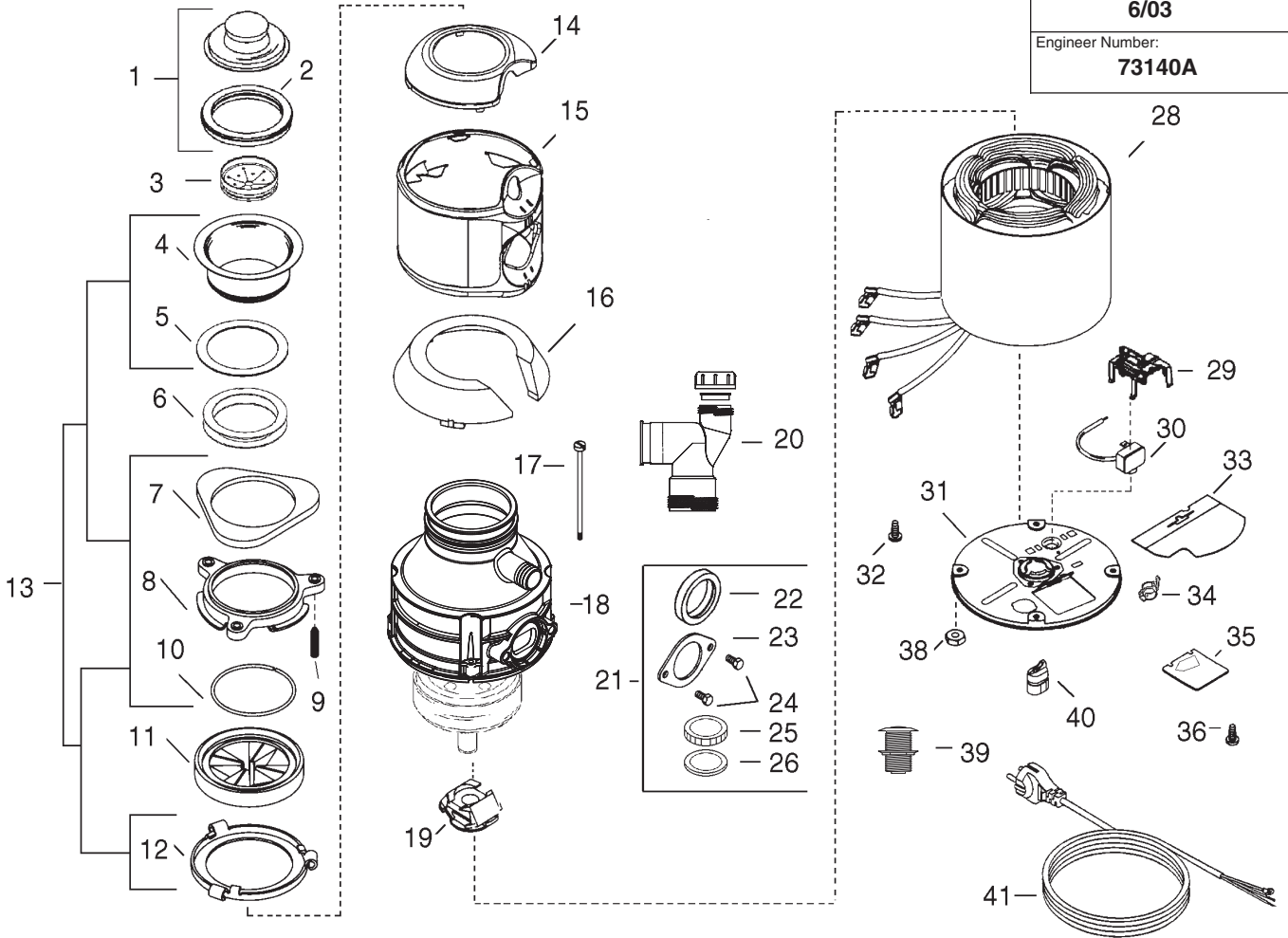


Warranty:	4 Year Full Warranty
hp/Volts/Hertz:	.65 hp - 220/240V 50 HZ
Production Date:	6/03
Engineer Number:	73140A



ORDER BY PART NUMBER, NOT CODE NUMBER

CODE NO.	PART NO.	NO. REQ.	DESCRIPTION	CODE NO.	PART NO.	NO. REQ.	DESCRIPTION
1	5032A	1	Stopper Assembly	23	N/A	1	Tailpipe Flange
2	5029	1	Stopper Gasket	24	N/A	2	13mm Screw
3	70966	1	Baffle	25	N/A	1	1-1/2" Nut
4	N/A	1	Sink Flange	26	N/A	1	Seal
5	N/A	1	Seal	27	4577	1	Service Wrenchette (Not Shown)
6	8763	2	Sink Flange Gasket	28	3590W	1	Stator Assembly
7	N/A	1	Backup Ring	29	70360A	1	Start Switch Assembly
8	N/A	1	Mounting Ring	30	2267CYYZ	1	Overload Protector
9	N/A	3	Screw	31	70424	1	End Frame Assy (Incl. code 32)
10	N/A	1	Snap Ring	32	N/A	1	Screw, Ground
11	70368	1	Mounting Gasket	33	4134	1	Wire Shield
12	N/A	1	Body Flange	34	73404	1	Overload Guard
13	3173ED	1	Mounting Assy (Incl. Codes 4,5, 7-10 & 12)	35	72194	1	Terminal Cover/Micro Switch Mechanism
14	71951B	1	Trim Shell Cap	36	73350	1	Terminal Cover Screw
15	73503	1	Trim Shell	37	72870	1	Installation, Care & Use Manual (Not Shown)
16	72246	1	Insulation	38	73098	4	Nut
17	73097	4	Bolt, Thru	39	72218	1	Air Switch Button
18	N/A	1	Enclosure Assembly (Not Available - Replace Unit)	40	70667	1	Bushing
19	2467A	1	Centrifugal Actuator Assy	41	72178ZZ	1	Cord
20	73238	1	Tailpipe				
21	2638JX	1	Installation Kit (Incl. codes 3, 6, 22-27 & 37)				
22	N/A	1	Tailpipe Gasket				