



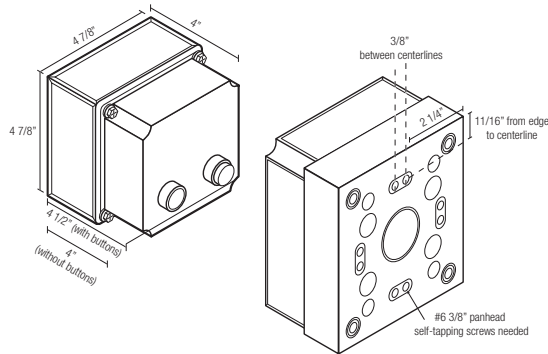
ELECTRICAL CONTROLS

Manual Switch - MS

- Push button ON/OFF switch
- High impact polycarbonate construction
- NEMA 4 - water tight enclosure
- Single direction only
- Magnetic starter/provides automatic shut-off in case of power interruption
- Operates on line voltage



ENCLOSURE DIMENSIONS (Inches)



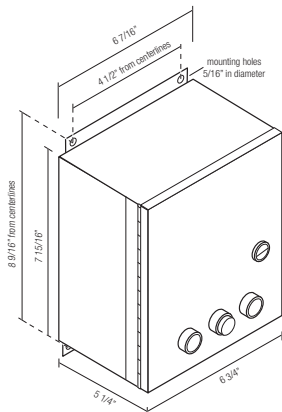
Voltage/Phase Availability			
Model	Voltage	Phase	Disposer Models
MS-4	120V	1 Ph	SS-50 to SS-200
MS-5	208-240V	1 Ph	SS-50 to SS-200
MS-5	208-240V	3 Ph	SS-50 to SS-500
MS-6	380-460V	3 Ph	SS-50 to SS-1000

Manual Reverse Switch - MRS

- 3 - Button switch with FWD/STOP/REV
- Stainless steel construction
- NEMA 4 - water tight enclosure
- Manual reverse allows increased cutting element life and reduces jams
- Magnetic starter/provides automatic shut-off in case of power interruption
- Operates on line voltage
- CUL approved switch



ENCLOSURE DIMENSIONS (Inches)



Voltage/Phase Availability			
Model	Voltage	Phase	Disposer Models
MRS-6	120V	1 Ph	SS-50 to SS-200
MRS-7	208-240V	1 Ph	SS-50 to SS-200
MRS-8	208-240V	3 Ph	SS-50 to SS-300
MRS-9	380-460V	3 Ph	SS-50 to SS-750

Our products appear on **The KCL CADalog** CD-ROM based CAD Foodservice Symbol Library. More information is available from **Kochman Consultants, Ltd.** at www.kclcad.com.



4700 21st STREET
RACINE, WI 53406
TEL: 800-845-8345
FAX: 262 554-3620

www.insinkerator.com



The Emerson logo is a trademark and a service mark of Emerson Electric Co.

